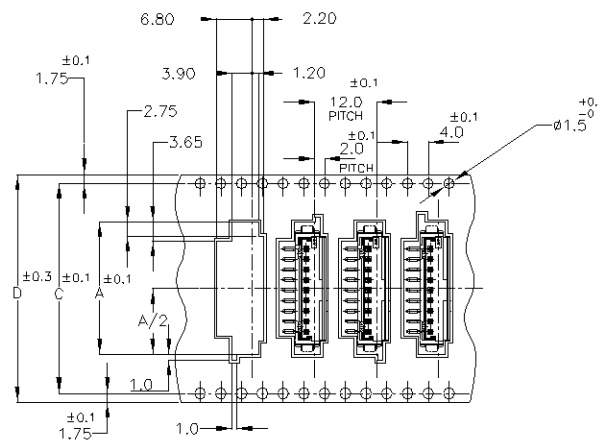
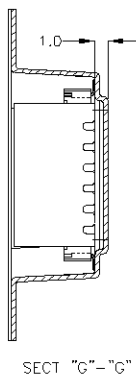
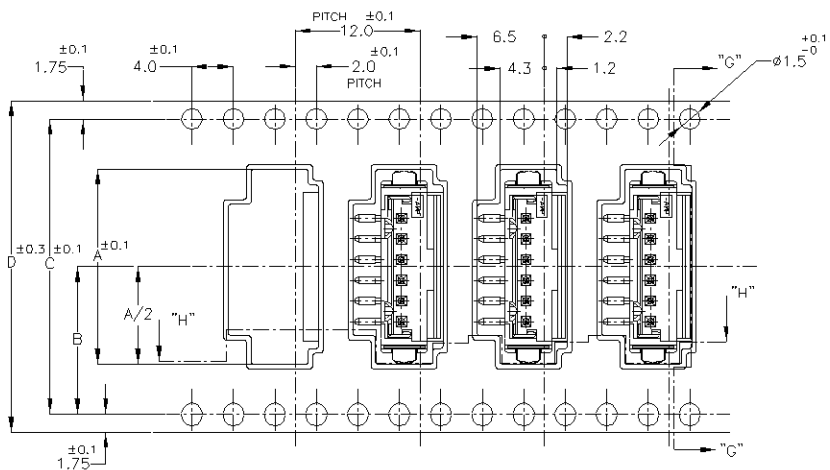


LOC	DIST	REVISIONS					
ES	00	P	LTR	DESCRIPTION	DATE	DWN	APVD
		B		REVISED ECR-07-000873	16JAN07	C.Z	S.Y

(AS SHOWN : -6)



9P ONLY

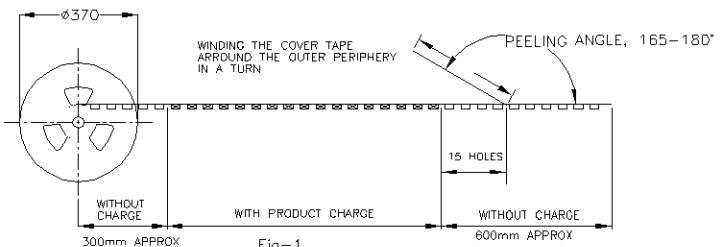
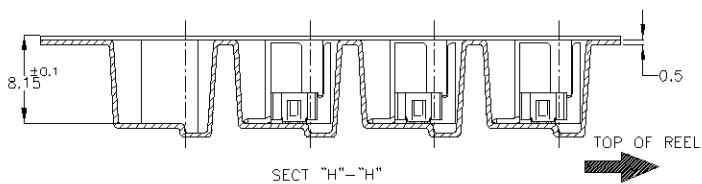


Fig-1

NOTES:

1. PEELING RESISTANCE: 0.196N(20gr)-0.686N(70gr)  
SPEED: 300mm/min

TOLERANCE UNLESS OTHERWISE SPECIFIED

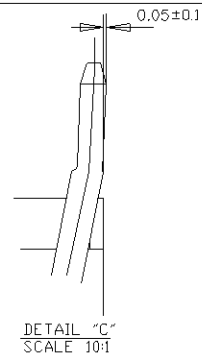
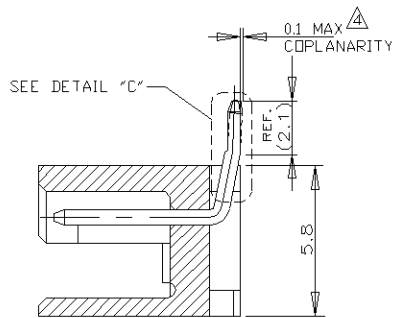
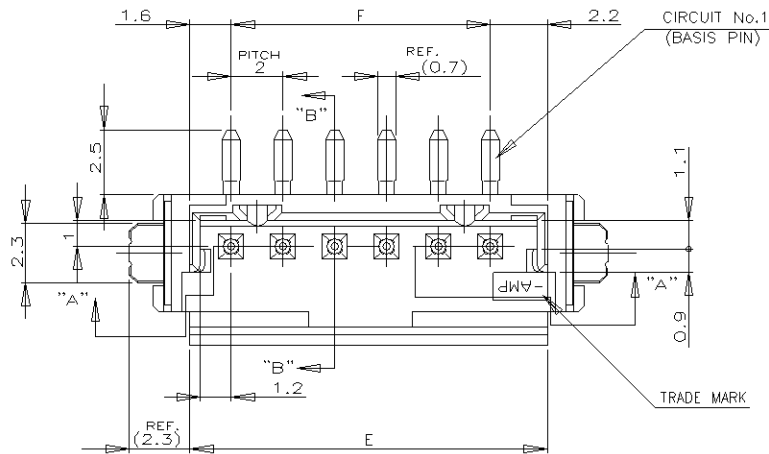
10 > \* ±0.2  
 30 > \* > 10 ±0.25  
 100 > \* > 30 ±0.3  
 ANGLE ±3°

THIS DRAWING IS A CONTROLLED DOCUMENT.		DWN	J.JIANG	23JAN03	<p>Tyco Electronics Corporation Shanghai, P.R.China,200233</p>											
DIMENSIONS: MM		CHK	S.YAO	23JAN03												
TOLERANCES UNLESS OTHERWISE SPECIFIED:		APVD	T.SASAKI	23JAN03												
<table border="1"> <tr> <td>0 PLC</td> <td>±</td> </tr> <tr> <td>1 PLC</td> <td>±</td> </tr> <tr> <td>2 PLC</td> <td>±</td> </tr> <tr> <td>3 PLC</td> <td>±</td> </tr> <tr> <td>4 PLC</td> <td>±</td> </tr> <tr> <td>ANGLES</td> <td>±</td> </tr> </table>		0 PLC	±	1 PLC		±	2 PLC	±	3 PLC	±	4 PLC	±	ANGLES	±	PRODUCT SPEC	108-60016
0 PLC	±															
1 PLC	±															
2 PLC	±															
3 PLC	±															
4 PLC	±															
ANGLES	±															
MATERIAL		APPLICATION SPEC	WEIGHT		NAME											
<p>TOLERANCE UNLESS OTHERWISE SPECIFIED</p> <p>10 &gt; * ±0.2                  30 &gt; * &gt; 10 ±0.25                  100 &gt; * &gt; 30 ±0.3                  ANGLE ±3°</p>		CUSTOMER DRAWING		ON TAPING (EMBOSS) AMP CT CONNECTOR POST HEADER ASS'Y (BOX-V SMT W/O BOSS & W/TAI)												
		SCALE	DRAWING NO		RESTRICTED TO											
		1/1	A3 00779 C=292175		-											
		SHEET	1 OF 2		REV											
					B											

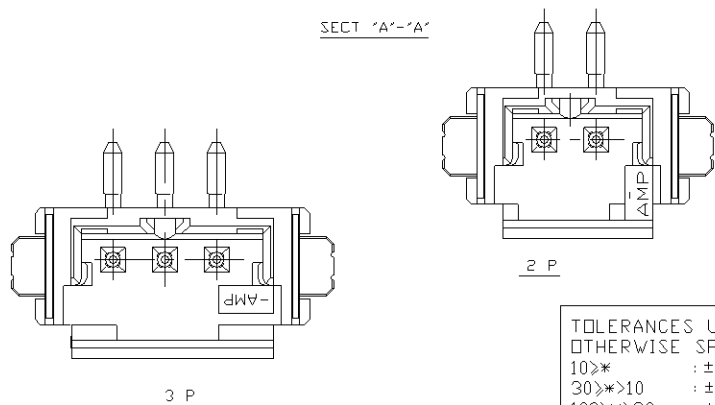
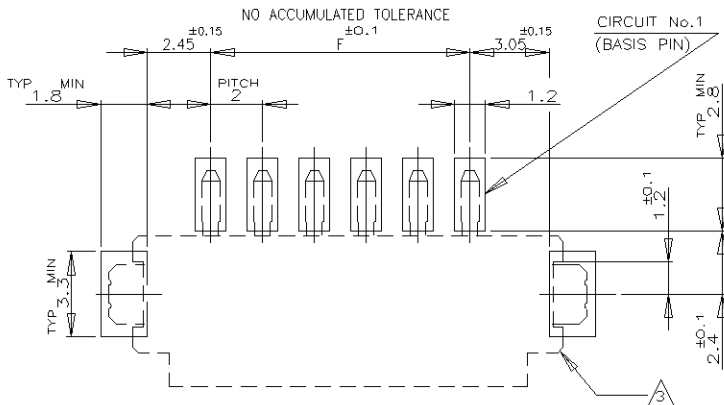
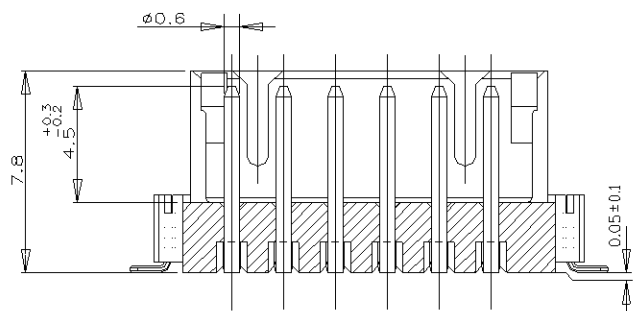
OBSOLETED	BLACK	44.0	40.50	20.25	25.60	9	2-292175-9		
		44.0	40.4	20.2	22.9	8	2- -8		
		32.0	28.4	14.2	20.9	7	2- -7		
		32.0	28.4	14.2	18.9	6	2- -6		
		32.0	28.4	14.2	16.9	5	2- -5		
		32.0	28.4	14.2	14.9	4	2- -4		
		32.0	28.4	14.2	12.9	3	2- -3		
		WITH	32.0	28.4	14.2	10.9	700	2-292175-2	
		NATURAL		44.0	40.50	20.25	25.60	9	292175-9
				44.0	40.4	20.2	22.9	8	-8
32.0	28.4			14.2	20.9	7	-7		
32.0	28.4			14.2	18.9	6	-6		
32.0	28.4			14.2	16.9	5	-5		
32.0	28.4			14.2	14.9	4	-4		
32.0	28.4			14.2	12.9	3	-3		
WITH	32.0			28.4	14.2	10.9	700	2-292175-2	
COLOR PLATE	D			C	B	A	QTY/REEL	POS	TAPING P/N

THIS DRAWING IS UNPUBLISHED. RELEASED FOR PUBLICATION  
 © COPYRIGHT BY TYCO ELECTRONICS CORPORATION. ALL RIGHTS RESERVED.

LOC	DIST	REVISIONS					
ES	00	P	LTR	DESCRIPTION	DATE	DWN	APVD
		-		SEE SHEET 1	-	-	-



NOTES:  
 2. MATERIAL:HSG-6T PA(G.F.30%)(UL94V-0)  
 COLOR:NATURAL,BLACK  
 POST:TIN BRASS  
 TAIL: TIN BRASS  
 △ OCCUPANT AREA ON PC BOARD  
 △ TO BE MEASURED WITH CONNECTOR PLACED ON HORIZONTAL DATUM SURFACE,FLOAT OF SOLDER TINE AND TAIL FROM DATUM SURFACE IS 0.1mm MAX



16.0	19.8	9	2-292175-9	292175-9
14.0	17.8	8	2- -8	-8
12.0	15.8	7	2- -7	-7
10.0	13.8	6	2- -6	-6
8.0	11.8	5	2- -5	-5
6.0	9.8	4	2- -4	-4
4.0	7.8	3	2- -3	-3
2.0	5.8	2	2-292175-2	292175-2
F	E	POS.	BLACK	NATURAL
				P/N

RECOMENDED P.C.BOARD LAYOUT  
 (P.C.B THK:0.8mm MIN)

THIS DRAWING IS A CONTROLLED DOCUMENT.		DWN	31JAN03	<b>tyco</b> <b>Electronics</b>	Tyco Electronics Corporation Shanghai, P.R.China,200233		
DIMENSIONS: MM		CHK	-		ON TAPING (EMBOSS) SMT TYPE POST HDR ASS'Y(V) W/O BOSS & WITH TAIL TYPE		
TOLERANCES UNLESS OTHERWISE SPECIFIED:		APVD	-	NAME	RESTRICTED TO		
0 PLC ±		PRODUCT SPEC		108-60016			
1 PLC ±		APPLICATION SPEC		-			
2 PLC ±		WEIGHT		-			
3 PLC ±		CUSTOMER DRAWING		SCALE 5:1 SHEET 2 OF 2 REV B			
4 PLC ±		MATERIAL		A3 00779 C=292175			
ANGLES ±		FINISH		-			
SEE NOTE		SEE NOTE		-			

TOLERANCES UNLESS OTHERWISE SPECIFIED:  
 10>\* : ±0.2  
 30>\* >10 : ±0.25  
 100>\* >30 : ±0.3  
 ANGEL : ±3°